



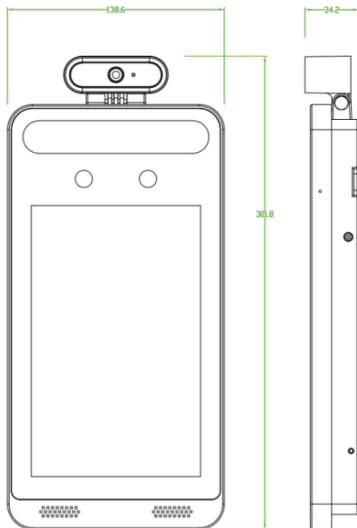
ForeSight



IK10



Facial Recognition with Temperature Screening Attendance Device



8 inch LCD touch screen

High-accuracy IR body temperature measurement

Non-contact body temperature measurement

Human-sounding voice prompt

Real-time face mask detection

Face liveness detection technology distinguishing real faces from non-real face spoof attacks

Highly accurate face recognition using deep learning algorithm

Stand-alone device, ready for networking

IK10



Screen	
LCD Screen	8-inch touch display screen ; contrast: 500:1
Screen Resolution	1280 x 800
Brightness	500 lux
Control Interface	I2C
Thermal Camera	
Temperature Measuring Range	32~43° C
Accuracy	± 0.3° C
Measuring Distance	30~50cm
Camera	
Image Sensor	1 / 2.8" CMOS
Image Size	1920 x 1080
Lens	Dual-lens, f=3.97mm @ F1.6
WDR	120dB
Day & Night	Light soft white light, IR light
IR Distance	10m
White Light Distance	1-3m
Audio	
Audio compression	G.711A / U
Two-way audio	Yes (noise reduction and echo cancellation)
Interfaces	
Network	RJ45 100Mbps x 1
RS 485	RS485x1 (half duplex)
USB	USB x1
Video Output	-
Audio line in / out	Built-in MIC / built-in speaker
Alarm Input / Output	2 CH / 2 CH
Wiegand	Wiegand input/output (26/34)
Door Lock Output	Relay output, NO/NC(optional), delay setting supported
Anti-Tamper	1 button
Exit Button	1 button
Reset Button	1 button

	Built-in micro SD card slot; up to 128GB
Height Range of Face Recognition	1.2m-2.2m (the recommended installation height is 1.45m)
Face Recognition Distance	0.3m-2m
Recognition Mode	Face: 1 : N
Recognition Duration	0.5 s / person
Face Database	20,000
Recognition Accuracy	99.7%
Smart Linkage	
Screen Wakeup	Yes
Light Adjustment	Yes
Snapshot	Yes
System / Performance	
Operating System	Embedded Linux
Storage	8Gb DDR3 +16GB EMMC
Operating Mode	Stand-alone offline / Network
Watchdog Management	YES
Others	
Power Supply	DC 12V/ 2A
Power Management	Screen sleep, screen protection
Power Consumption	<12W
Operating Environment	0° C~40° C(32° F ~104° F) Humidity: less than 95 % (non-condensing)
Dimensions	301.8 x 138 x 34.2 mm
Weight	1200g (not including bracket)
Ingress Protection	IP65 ;Surge Protection and Voltage Transient Protection
Installation	Standard :wall mount Optional:pole mount/ desktop mount / stand-type mount

Accessories			
Wall Mount (Standard)	Pole Mount (Optional)	Desktop Mount (Optional)	Stand-type Mount (Optional)
	F659	F660	F661

Related Available Products

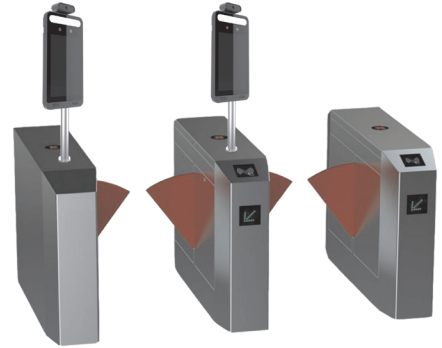
Baffle Gate



One sided
Fs1101



Both sided
FS1201



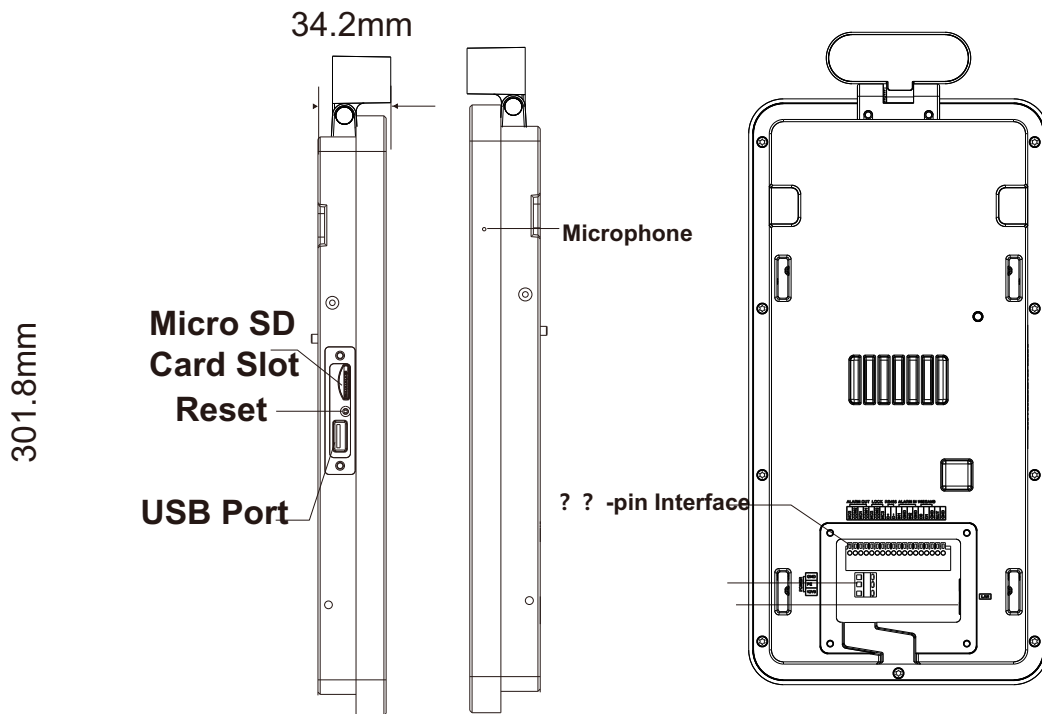
Topology

Interface

Left

Right

Back



18-pin Interface	2CH Alarm Output				Door Lock			RS485		2CH Alarm Input				Wiegand			Exit Connector	
	1	2	3	4	5	6	7	8	9	10	11	12	13	14	15	16	17	18
	NO2	COM2	NO1	COM2	NO3	COM3	NC3	D+	D-	IN1	GND	IN2	GND	D0	D1	GND	BUT	GND