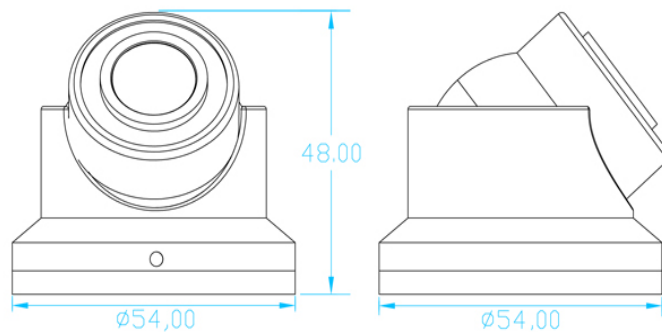


IR Day/Night Super-Mini Rear-view Camera

Features:

- Vehicle IR Day/Night Super-Mini Rear-view Camera
- 1/3" SONY Color SuperHAD II Low Lux CCD
- Resolution : 650TVL,700TVL
- Lens Optional : 2.5/2.8/3.6/6.0/8.0/12.0mm
- IP66 Water-proof housing
- Pan/Tilt adjustment available
- Dual-glass
- 12 leds(Φ3mm), vision range5~8m(Optional)
- Dimension: D54xH48(mm)

Dimension Picture 尺寸图

Specifications技术参数

Model	FST-MD5B4	FST-MD6B4	FST-MD7B4
Pick up Device 摄像元件	1/3" SONY Color SuperHAD II Low Lux CCD		
Signal Format 讯号系统	PAL or NTSC (color)		
Picture Elements 像元素	PAL:752(H)x582(V); NTSC:768(H)x494(V)		PAL:976(H)x582(V); NTSC:976(H)x494(V)
Horizontal Resolution 水平解析度	550TVL	650TVL	700TVL
Sensitivity 最低照明度	0 Lux(Infrared LED On,at F1.2)		
Infrared LED 红外灯	12 Leds (Φ3mm)		
Infrared LED Range 夜视范围	5~8m		
Scanning System 扫描方式	PAL:625 TVL; NTSC:525TVL 2:1 Interlace		
Synchronization 同步系统	Internal sync.		
Infrared Spectrum 红外感应光波	850nm		
S/N Ratio 视频信噪比	Over 50dB(AGC off)		
Auto Gain Control 自动增益	Auto		
White Balance 白平衡	Auto		
Electronic Shutter 电子快门	Auto		
Back Light Compensation 背光补偿	Auto		
Video Output 视频输出	1 Vp-p,75Ω Composite ,BNCx1		
Audio Output 音频输出	N/A		
Mirror 镜像功能	Optional		
Gamma Ratio 灰度比	0.45		
Auto-iris Lens Control 自动光圈	N/A		
Lens 镜头	f2.5mm~12mm		
Lens Mount 镜头安装	M12xP0.5mm Thread		
Exterior Focus Adjustment 外部调焦	N/A		
Pan Adjusting 水平调节	N/A		
Tilt Adjusting 垂直调节	N/A		
Power Supply 工作电压	12V DC ±10%, ∅ 2.0mm DC Jack x1		
Power Consumption 工作电流	140mA		
Dimensions 外型尺寸	54 x 48mm		
Net Weight 产品重量	106g		
Weatherproof/Waterproof 防水性能	Weatherproof (IP66)		
Operating Temperature 工作温度	-10°C to +50°C		

*Specifications are subject to change without prior notice