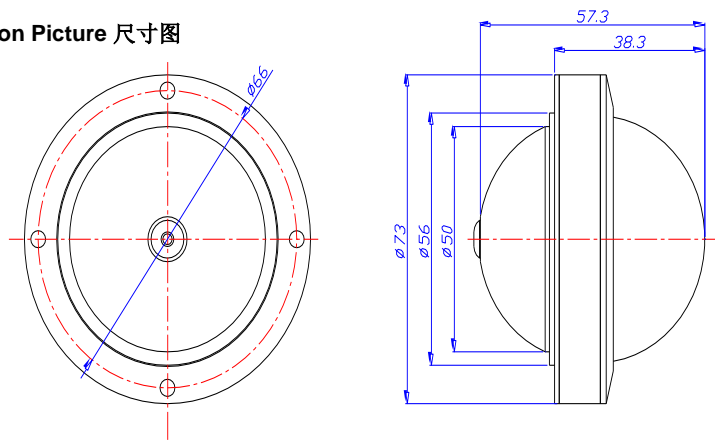


**Vehicle IR Day/Night Mini Metal Dome Camera**  
 汽车红外夜视迷你金属半球摄像机

**Features:**

- Vehicle (IR Day/Night) Mini Metal Dome Camera
- 1/3" SONY Color SuperHAD II Low Lux CCD
- Resolution : 550TVL,650TVL,700TVL
- Lens Optional : 2.5/2.8/3.6/6.0/8.0/12.0mm
- IP67 Water-proof & Vandal-proof housing, resistant to water burst cleaning process
- Angle Adjustment with adaptor 0°, 15°, 25° for optional
- Easy Installation Mechanical Design
- Housing with Spring Washer, easy to turn the ball
- 10 leds, vision range 10m(Optional)
- Dimension: D73xH58(mm)

**Dimension Picture 尺寸图**

**Specifications 技术参数**

Model 型号 Specifications 参数	FST-DN753B4	FST-DN763B4	FST-DN773B4
	FST-DN751LB4	FST-DN761LB4	FST-DN771LB4
Pick up Device 摄像元件	1/3" SONY Color SuperHAD II Low Lux CCD		
Signal Format 讯号系统	PAL or NTSC (color)		
Picture Elements 像元素	PAL:752(H)x582(V); NTSC:768(H)x494(V)		PAL:976(H)x582(V); NTSC:976(H)x494(V)
Horizontal Resolution 水平解析度	550TVL	650TVL	700TVL
Sensitivity 最低照亮度	0 Lux(Infrared LED On, at F1.2		
Infrared LED 红外灯	10 Leds optional		
Infrared LED Range 夜视范围	10m optional		
Scanning System 扫描方式	PAL:625 TVL; NTSC:525TVL 2:1 Interlace		
Synchronization 同步系统	Internal sync.		
Infrared Spectrum 红外感应光波	850nm		
S/N Ratio 视频信噪比	Over 50dB(AGC off)		
Auto Gain Control 自动增益	Auto		
White Balance 白平衡	Auto		
Electronic Shutter 电子快门	Auto		
Back Light Compensation 背光补偿	Auto		
Video Output 视频输出	1 Vp-p,75Ω Composite ,BNCx1		
Audio Output 音频输出	N/A		
Mirror 镜像功能	Optional		
Gamma Ratio 灰度比	0.45		
Auto-iris Lens Control 自动光圈	N/A		
Lens 镜头	f2.5mm~12mm		
Lens Mount 镜头安装	M12xP0.5mm Thread		
Exterior Focus Adjustment 外部调焦	N/A		
Pan Adjusting 水平调节	+/-180 Degree		
Tilt Adjusting 垂直调节	0-62 Degree		
Power Supply 工作电压	12V DC ±10%, ø 2.0mm DC Jack x1		
Power Consumption 工作电流	150mA(with Leds) / 70mA(without Leds)		
Dimensions 外型尺寸	73 x 57.3 mm		
Net Weight 产品重量	176g		
Weatherproof/Waterproof 防水性能	Weatherproof (IP67)		
Operating Temperature 工作温度	-10°C to +50°C		

\*Specifications are subject to change without prior notice