



ForeSight

Foresight Systems Technology

Email: sales@foresight-systech.com
www.foresight-systech.com

IR BULLET AHD CAMERA



External Lens and
OSD adjustment



Features:

High Resolution:

- ✚ Longer Transmission: Coax transmission common 75-3 cable up to 500 meters.
- ✚ Equipped with 1/3" DIS @1280x720



Easiest Upgrade from Analog 700TVL to HD 720P

HD 720P

Coaxial Video Cable 300-500M Distance

Existing wiring can be kept using

720P AHD Camera

720P AHD DVR System

UPGRADE

Analog 700TVL

Coaxial Video Cable 300-500M Distance

700TVL Analog Camera

960H/D1 DVR System

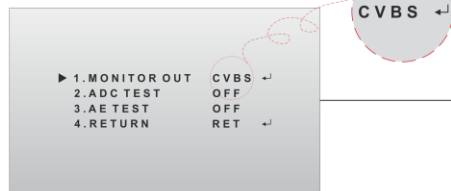
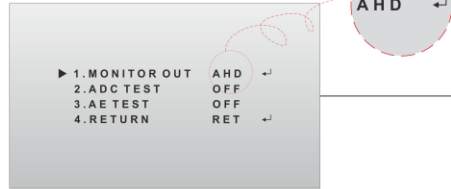
✚ Zero Delay: Front-end data without coding compression to the back-end, real-time, high fidelity.



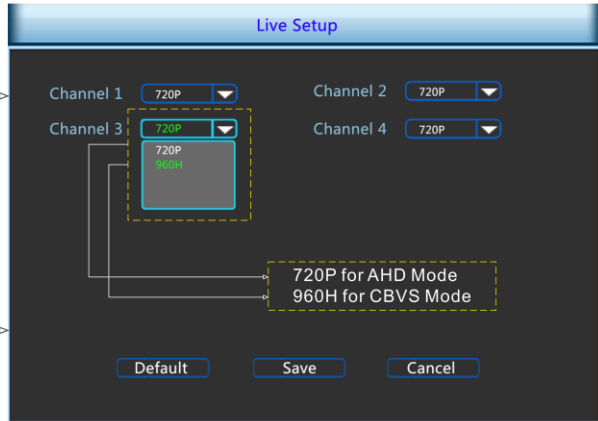
✚ Good compatibility. AHD DVR for both Analog camera and AHD camera, for AHD camera both CVBS and AHD signal.

AHD DVR, one solution for Analog and HD Analog

AHD Camera
AHD/CVBS Switch

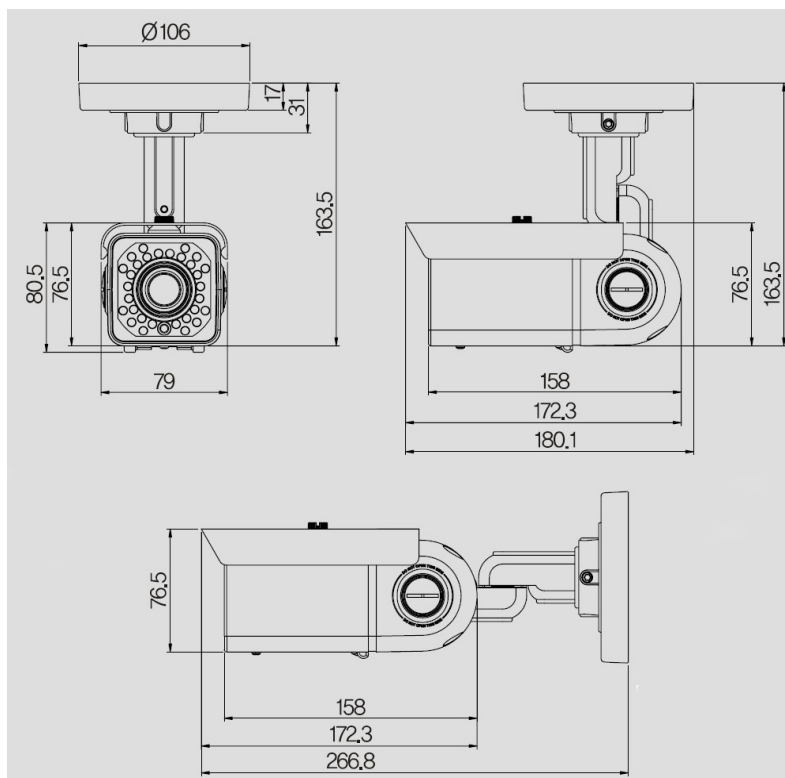


AHD DVR
720P/960H Switch



- ✚ Built-in 2.8-12mm varifocal lens;
- ✚ External Adjustment (Tele/Wide, Near/Far, OSD) ;
- ✚ True 3-axis bracket: 360 degree H/ V Rotation ;
- ✚ Weatherproof Rating: Ip67 ;

Structure diagram





	FST-CR6JAH20	FST-CR6JAY20
Camera		
Image Sensor	OV9712S 1MP	AR0130 1.3MP
DSP	NVP2431H	NVP2431H
Image Resolution	PAL: 25fps@720P(1280x720); NTSC: 30fps@720P(1280x720)	
TV System	PAL/NTSC	
Electronic Shutter	1/25s~1/50,000s , 1/30s~1/60,000s	
Sync System	Internal	
Usable Illumination	0.01Lux	0.001Lux
S/N Ratio	≥50dB	
Scanning System	Progressive Scan	
Video Output Mode	AHD/CVBS (960H) (BNC)	AHD/CVBS (960H) (BNC)
Lens	2.8-12MM/2MP	
Night Vision		
Infrared LED	ϕ 5X42PCS	
Infrared Distance	35M	
IR Status	Under 10 Lux by CDS	
IR Power On	CDS Auto Control	
Camera Features		
Day/Night	Auto (ICR) / Color / B&W	Auto (ICR) / Color / B&W
OSD Menu Language	EN, CN, DE, FRA, IT, ES, PL, RU, PT, NL, TR	EN, CN, DE, FRA, IT, ES, PL, RU, PT, NL, TR
White Balance	Auto/Manual	Auto/Manual
Gain Control	Auto	Auto
Noise Reduction	3D NR	3D NR
Picture Adjustment	Yes	Yes
OSD Support	Yes	Yes
General		
Weatherproof Rate	YES, IP66	
Anti-cut Bracket	YES, 3-Axis	
IR Cut Filter	YES	
Operation Temperature	-10°C ~ +50°C RH95% Max	
Storage Temperature	-20°C ~ +60°C RH95% Max	
Power Source	DC12V±10%, <400mA	