

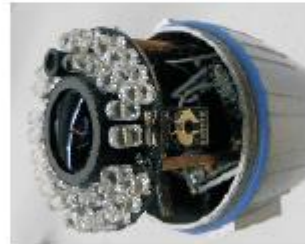


ForeSight

Foresight Systems Technology

Email: sales@foresight-systech.com
www.foresight-systech.com

IR BULLET AHD CAMERA



OSD button in
the case makes
Easily operation



Features:

High Resolution:

- ✚ Equipped with 1/3" DIS @1280x720
- ✚ Longer Transmission: Coax transmission common 75-3 cable up to 500 meters



Easiest Upgrade from Analog 700TVL to HD 720P

HD 720P
Coaxial Video Cable 300-500M Distance
Existing wiring can be kept using
720P AHD Camera
720P AHD DVR System

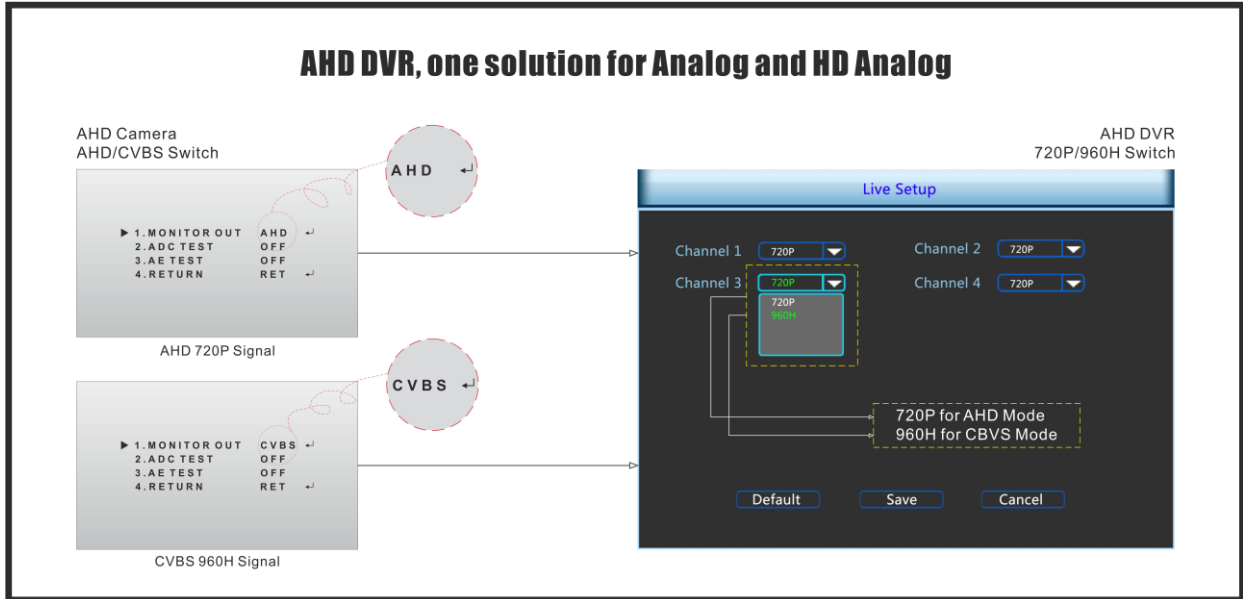
UPGRADE

Analog 700TVL
Coaxial Video Cable 300-500M Distance
700TVL Analog Camera
960H/D1 DVR System

- ✚ Zero Delay: Front-end data without coding compression to the back-end, real-time, high fidelity.

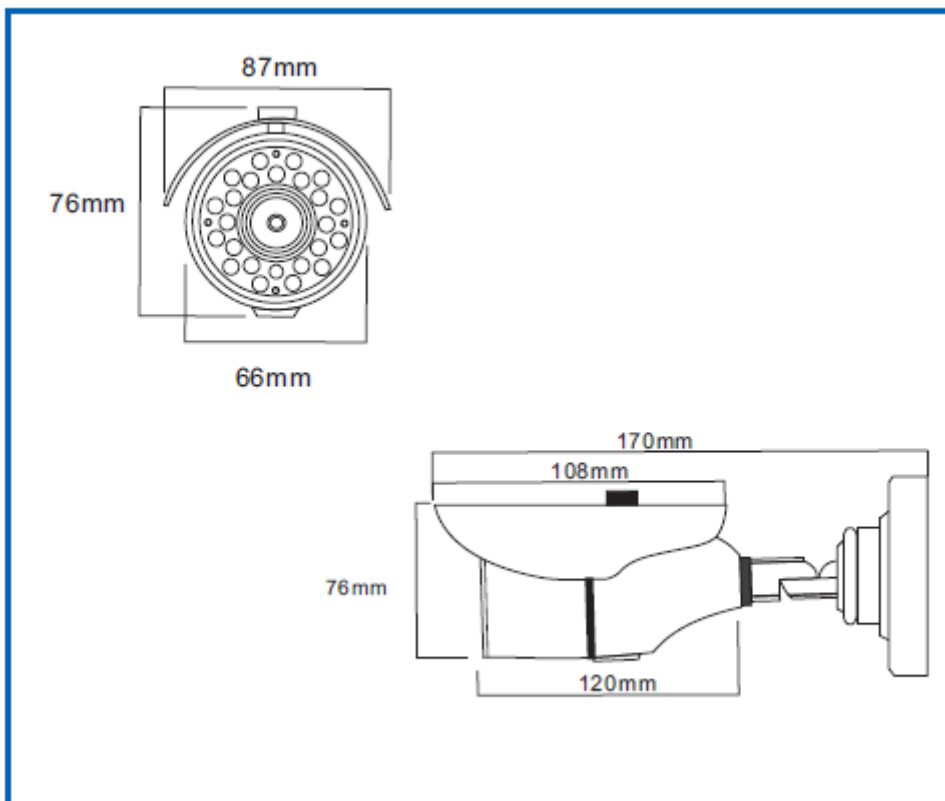


- ✚ Good compatibility. AHD DVR for both Analog camera and AHD camera, for AHD camera both CVBS and AHD signal.



- ✦ Built-in 2.8~12mm varifocal lens;
- ✦ External Adjustment (Tele/Wide, Near/Far, OSD);
- ✦ True 3-axis bracket: 360 degree H V Rotation
- ✦ Weatherproof Rating: Ip67;

Structure diagram.



	FST-36VAH20	FST-36VAY20
Camera		
Image Sensor	OV9712S 1MP	AR0130 1.3MP
DSP	NVP2431H	NVP2431H
Image Resolution	PAL: 25fps@720P(1280x720); NTSC: 30fps@720P(1280x720)	
TV System	PAL/NTSC	
Electronic Shutter	1/25s~1/50,000s , 1/30s~1/60,000s	
Sync System	Internal	
Usable Illumination	0.01Lux	0.001Lux
S/N Ratio	≥50dB	
Scanning System	Progressive Scan	
Video Output Mode	AHD/CVBS (960H) (BNC)	AHD/CVBS (960H) (BNC)
Lens	2.8-12MM/2MP	
Night Vision		
Infrared LED	∅ 5X36PCS	
Infrared Distance	30M	
IR Status	Under 10 Lux by CDS	
IR Power On	CDS Auto Control	
Camera Features		
Day/Night	Auto (ICR) / Color / B&W	Auto (ICR) / Color / B&W
OSD Menu Language	EN, CN, DE, FRA, IT, ES, PL, RU, PT, NL, TR	EN, CN, DE, FRA, IT, ES, PL, RU, PT, NL, TR
White Balance	Auto/Manual	
Gain Control	Auto	
Noise Reduction	3D NR	
Picture Adjustment	Yes	
OSD Support	Yes	
General		
Weatherproof Rate	YES, IP66	
Anti-cut Bracket	YES, 3-Axis	
IR Cut Filter	YES	
Operation Temperature	-10℃ ~ +50℃ RH95% Max	
Storage Temperature	-20℃ ~ +60℃ RH95% Max	
Power Source	DC12V±10%, <360mA	



Foresight

Foresight Systems Technology

Email: sales@foresight-systech.com
www.foresight-systech.com