

IR DOME AHD CAMERA



Features:

High Resolution:

- ✚ Equipped with 1/3" DIS @1280x720
- ✚ Longer Transmission: Coax transmission common 75-3 cable up to 500 meters

Easiest Upgrade from Analog 700TVL to HD 720P



720P AHD Camera

HD 720P




Coaxial Video Cable 300-500M Distance

Existing wiring can be kept using




720P AHD DVR System

UPGRADE




700TVL Analog Camera

Analog 700TVL



Coaxial Video Cable 300-500M Distance

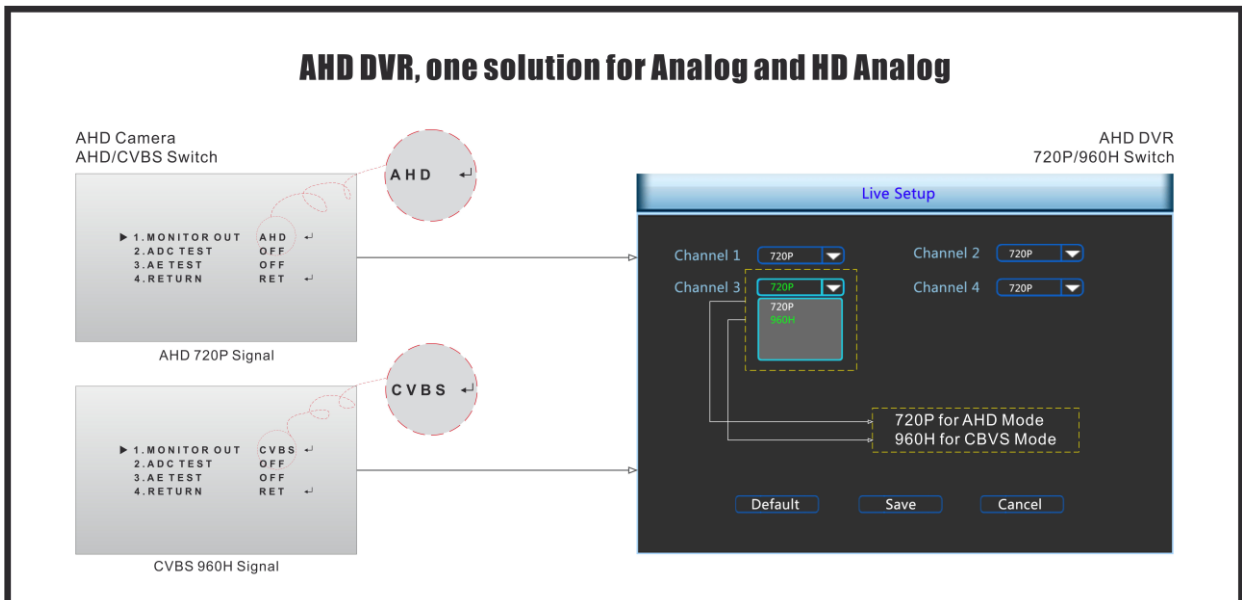


960H/D1 DVR System

- ✚ Zero Delay: Front-end data without coding compression to the back-end, real-time, high fidelity.

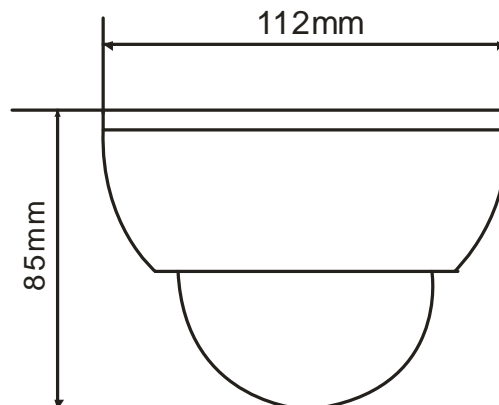


- ✚ Good compatibility. AHD DVR for both Analog camera and AHD camera, for AHD camera both CVBS and AHD signal.



- ✚ Built-in 2.8-12mm varifocal lens;
- ✚ External Adjustment (Tele/Wide, Near/Far, OSD) ;

Structure diagram



	FST-351AH20	FST-351AY20
Camera		
Image Sensor	OV9712S 1MP	AR0130 1.3MP
DSP	NVP2431H	NVP2431H
Image Resolution	PAL: 25fps@720P(1280x720); NTSC: 30fps@720P(1280x720)	
TV System	PAL/NTSC	
Electronic Shutter	1/25s~1/50,000s , 1/30s~1/60,000s	
Sync System	Internal	
Usable Illumination	0.01Lux	0.001Lux
S/N Ratio	≥50dB	
Scanning System	Progressive Scan	
Video Output Mode	AHD/CVBS (960H) (BNC)	AHD/CVBS (960H) (BNC)
Lens	2.8-12MM/2MP	
Night Vision		
Infrared LED	∅ 5X24PCS	
Infrared Distance	20M	
IR Status	Under 10 Lux by CDS	
IR Power On	CDS Auto Control	
Camera Features		
Day/Night	Auto (ICR) / Color / B&W	Auto (ICR) / Color / B&W
OSD Menu Language	EN, CN, DE, FRA, IT, ES, PL, RU, PT, NL, TR	EN, CN, DE, FRA, IT, ES, PL, RU, PT, NL, TR
White Balance	Auto/Manual	Auto/Manual
Gain Control	Auto	Auto
Noise Reduction	3D NR	3D NR
Picture Adjustment	Yes	Yes
OSD Support	Yes	Yes
General		
Weatherproof Rate	YES, IP66	
Anti-cut Bracket	YES, 3-Axis	
IR Cut Filter	YES	
Operation Temperature	-10°C ~ +50°C RH95% Max	
Storage Temperature	-20°C ~ +60°C RH95% Max	
Power Source	DC12V±10%, <280mA	